



GRANULAR AIRLOCK – GL

The GL rotary valves are specially designed for gravity feeding and pneumatically conveying of granular products. The configuration of the body and rotor has been developed specifically to minimise degradation while retaining the best possible pocket filling efficiency.

Available sizes and capacity

Size GL	150	200	250	300	350
Capacity* FT ³ /REV.	0.18	0.35	0.62	1.13	2.79

*Capacity per revolution at 100% filling



Specifications

- ▶ Maximum protection against product degradation
- ▶ High filling efficiency
- ▶ Large air vent openings
- ▶ Robust construction
- ▶ Available with direct drive or chain-drive
- ▶ Flanges drilled in accordance with PN 10, ANSI 150 lbs
- ▶ ATEX 2014/34/EU certification available

Product Information

The GL rotary valves are available in 3 different body configurations: all stainless steel, stainless body with aluminium end covers, and all aluminium. The aluminium configuration is anodised.

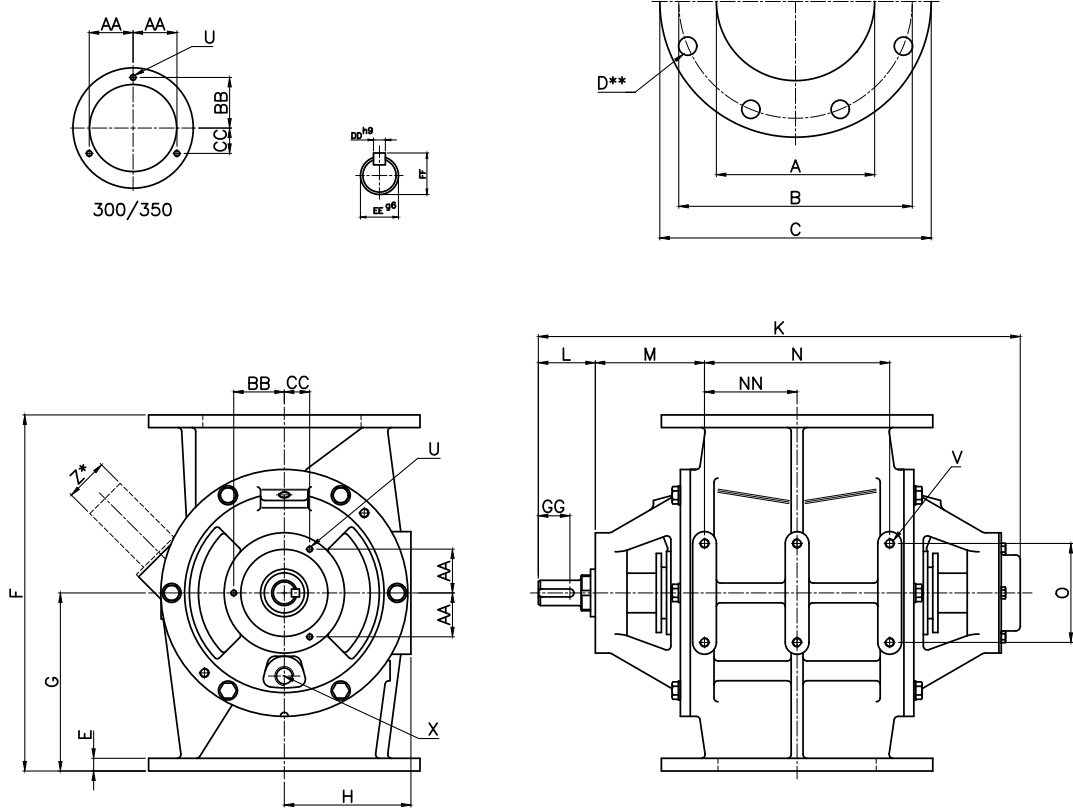
The full end disc rotor is 316 stainless steel. The end covers have outriggered ball bearings and the shaft sealed with gland packings. The construction of the inlet minimises chopping of the product.

The standard models are suitable for handling products up to a temperature of +302°F and a maximum pressure difference of 21.75 PSI. Other options are available on request.

Application

The GL is suitable for the following industries:

- ▶ Plastics
- ▶ Animal feed



TYPE	DIN					ANSI											
	GL	ft ³ /rev	ØA	ØB	D	ØC	ØB	D	E	F	G	H	K	I	M	N	NN
150	0.18	5.91	9.45	8xØ0.91	11.22	9.50	8xØ0.87	0.47	14.17	7.09	5.12	20.63	2.36	4.92	7.48	-	3.94
200	0.35	7.87	11.61	8xØ0.91	13.50	11.75	8xØ0.87	0.63	17.72	8.86	6.30	23.98	2.83	5.43	9.21	-	4.92
250	0.62	9.84	13.78	12xØ0.91	15.98	14.25	12xØ1.00	0.71	19.69	9.84	7.48	25.94	2.83	5.43	11.18	5.59	4.92
300	1.13	11.81	15.75	12xØ0.91	19.02	17.00	12xØ1.00	0.91	23.62	11.81	8.86	30.04	2.91	5.91	14.17	7.09	4.92
350	2.79	13.78	18.11	16xØ0.91	20.87	18.75	12xØ1.13	1.10	29.53	14.76	11.61	34.76	2.91	6.10	18.50	9.25	4.92

TYPE	GL	U	V	X	Z*	AA	BB	CC	DD	ØEE	FF	GG
150	3xM6	4xM10	¾" BSP	Ø1.90x2	1.46	2.07	1.46	0.31	1.18	1.30	1.38	
200	3xM8	4xM12	½" BSP	Ø2.37x2	2.18	2.52	1.26	0.39	1.26	1.38	1.69	
250	3xM8	6xM12	½" BSP	Ø3.00x2	2.18	2.52	1.26	0.39	1.26	1.38	1.69	
300	3xM10	6xM12	¾" BSP	Ø3.50x2	73.6	3.35	1.67	0.39	1.50	1.61	1.73	
350	3xM10	6xM12	¾" BSP	Ø3.50x2	73.6	3.35	1.67	0.39	1.50	1.61	1.73	

* Option: vent pipe
 Technical modifications are possible, dimensions in inches.